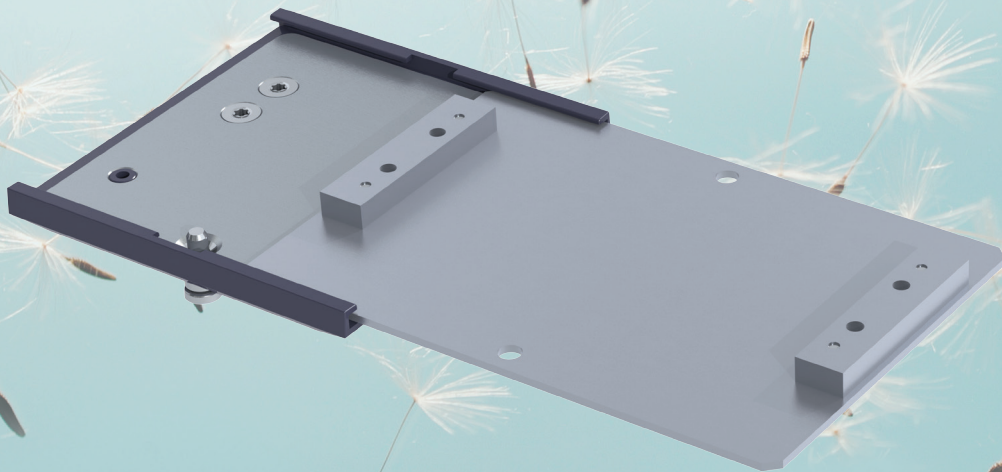


MOUNTING REFERENCE GUIDE

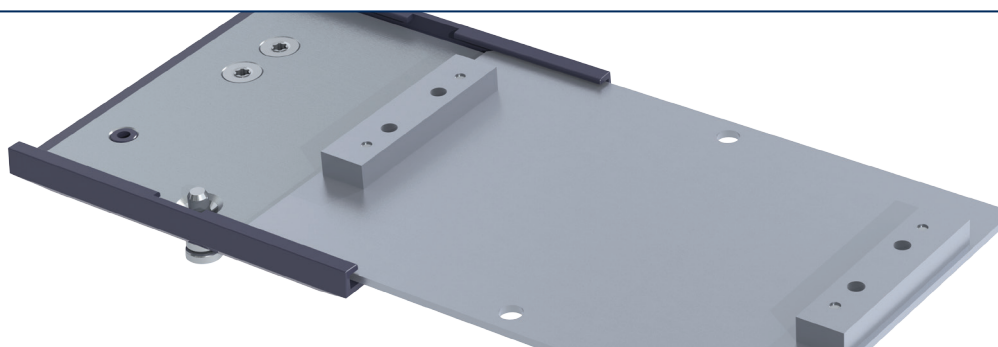
MONITOR-SPECIFIC MOUNTING ADAPTER GE



CIM Cable Integrated Mounting System



MONITOR-SPECIFIC MOUNTING ADAPTER GE



| Monitor Description | Description | Part No. |
|---|-----------------------------------|-----------|
| iMM Anaesthesia / Intensive monitor LCD 15" | Adapter plate for 5" plunge plate | DX-LCD15 |
| iMM Compact monitor | Adapter plate for 5" plunge plate | DX-CM |
| Dinamap V100/ Procure | Adapter plate for 5" plunge plate | GE-AP-PR1 |