



## COUNTER TOP

<b>Monitor adaption</b>	5" plunge plate
<b>Colours to choose</b>	decorative parts: RAL 5013 blue / RAL 7024 dark grey aluminum parts: RAL 9016 pure white / RAL 9002 grey white
<b>Max. load monitor adaptation</b>	18 kg/ 39.7 lbs
<b>Part number</b>	counter top with base plate (see illustration) T-HA-60.CD_50      height 50 mm/ 2" T-HA-60.CD_120    height 120 mm/ 4.7" counter top without base plate T-HA-69.CD_50      height 50 mm/ 2" T-HA-69.CD_120    height 120 mm/ 4.7"

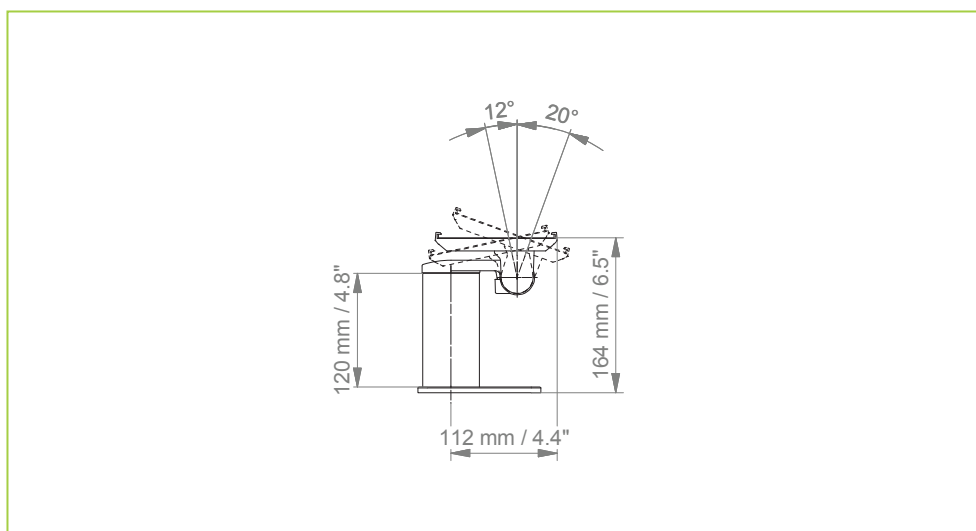




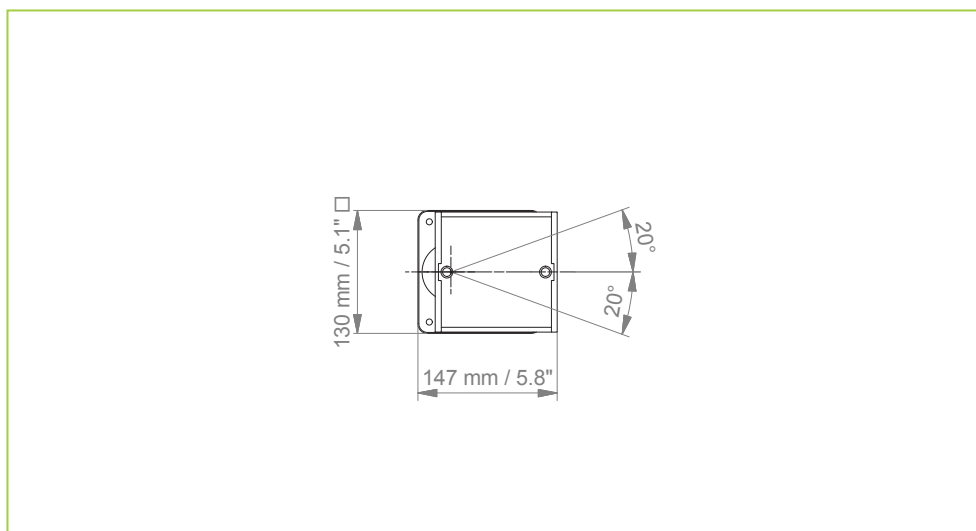
# COUNTER TOP

## Technical data - with base plate

Side view



Top view





# HOW TO CREATE PART NUMBERS

**Part numbers can be easily created by following the steps below:**

Please replace the letters in **green** with the part no. code as per your requirements.

1. Components' grounding:

A = grounded

2. Choose the arm version required:

224A/ 230A = pivot arm

H33030A = extended pivot arm

431A = height adjustable arm

73130A = extended height adjustable arm

531A = high position height adjustable arm

83130A = extended high position height adjustable arm

3. Specify where you want to mount the arm and select the fixing (Y):

1V = pole ø 23 - 40 mm/ 0.9 - 1.6"

1 = pole ø 25 mm/ 1.0"

1F = pole ø 35 mm/ 1.4"

1C = pole ø 38 mm/ 1.5"

2F = horizontal rails 10 x 25, 10 x 30 mm

3 = vertical rail

3DR = dual vertical rails, distance 150 mm/ 5.9"

3TX = dual vertical rails, distance 225 mm/ 8.9"

4V = vertical wall channel

4U = vertical wall channel for arms with high mounting position

= anaesthesia machine with existing GCX channel

8 = lateral adapter to Trumpf klinoPORT ceiling pendant

82 = adapter to Trumpf klinoPORT frontal

9 = Heinen & Löwenstein anaesthesia machine

10 = Maquet FLOW i anaesthesia machine



# HOW TO CREATE PART NUMBERS

4. Choose the colour requested for decorative parts (C):

gr = RAL 7024 (dark grey)  
bl = RAL 5013 (blue)

5. Choose the colour requested for the aluminium die-cast parts (D):

1 = RAL 9016 (pure white)  
2 = RAL 9002 (grey white)

6. Specify the spring depending on the weight of your monitor/ device - only with height adjustable arms (X):

80 = 3 - 8 kg/ 6.6 - 17.6 lbs  
95 = 5 - 11 kg/ 11 - 24.3 lbs  
130 = 9 - 14 kg/ 19.8 - 30.9 lbs  
175 = 13 - 17 kg/ 28.7 - 37.5 lbs  
220 = 16 - 22 kg/ 35.3 - 48.5 lbs

## EXAMPLE

1		2		3		4 & 5		6
Grounding		Arm version		Fixing		Colour		Spring tension
A	-	431A	-	Y	.	CD	-	X
A	-	431A	-	4V	.	gr1	-	80

## GENERAL NOTES

### Monitor Adaptations

The 5" plunge plate is intended to accept bottom-mounted monitors. Please note that a special mounting adapter is required for some monitors. The mounting adapter is mounted to the bottom and slides into the 5" plunge plate. For monitors from **Dräger** and **GE** no special mounting adapters are required. For the monitors from **Mindray**, **Nihon Kohden**, **Spacelabs** and **Philips Sure Signs/Vital Signs** mounting adapters are necessary to mount the monitors. For **Philips IntelliVue series** please refer to the separate catalogue: Philips Monitoring IntelliVue Series.

### Components' grounding

All arms with integrated cable management are equipped with **components grounding**. No grounding is required for arms with external or semi-integrated cable management with cables not being lead through joints.

### Load capacity

All **height adjustable arms** have a load capacity of 22 kg/ 48.5 lbs. Rear mounted monitor adaptations and horizontally mounted 5" plunge plates accept a maximum monitor weight of 18 kg/ 39.7 lbs. Additional 4 kg/ 8.8 lbs may be mounted on a down-post underneath the front swivel part. Depending on material and tensile factor all weight indications have a 4-fold and/ or 6-fold safety factor according to EN 60601-1, 3rd Edition regulations.

### Custom-designed solutions and MRI applications

Please contact us for **custom-designed** solutions.

### Product marking

All CIM products are CE marked. As **medical product risk class 1** they are conform with the regulations MDD 93/42 ECC and EN 60601-1, 3rd Edition. TUEV reports for numerous products especially for anaesthesia applications guarantee electrical and mechanical safety of our products.