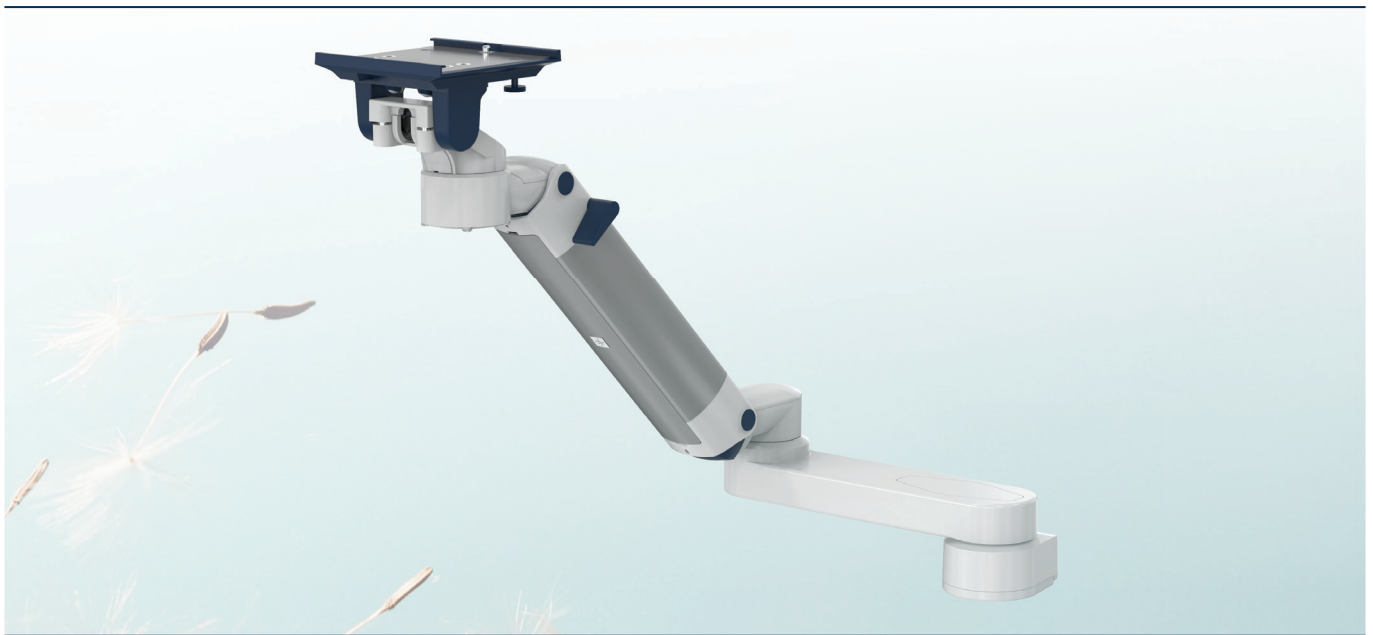




EXTENDED HEIGHT ADJUSTABLE ARM

Monitor adaption	5" plunge plate
Height adjustment	slow-flowing spring, parallel linkage for a constant viewing angle
Colours to choose	decorative parts: RAL 5013 blue / RAL 7024 dark grey aluminum parts: RAL 9016 pure white / RAL 9002 grey white
Max. load capacity support arm	22 kg/ 48.5 lbs
Max. load monitor adaptation	18 kg/ 39.7 lbs
Product weight	5.6 kg/ 12.3 lbs
Balancing range	800 N (3 - 8 kg/ 6.6 - 17.6 lbs); 950 N (5 - 11 kg/ 11 - 24.3 lbs); 1300 N (9 - 14 kg/ 19.8 - 30.9 lbs); 1750 N (13 - 17 kg/ 28.7 - 37.5 lbs); 2200 N (16 - 22 kg/ 35.3 - 48.5 lbs)
Part number	A-73130A-Y.CD_X



Fixings

Y



4V

Adapter for vertical wall channel



2F

Fixed rail clamp



3

Vertical rail clamp



3DR
3TX

Dual vertical rail clamp



1
1F
1C
1V

Fixed / universal pole clamp



8
82

Lateral adapter Trumpf



10

Adapter for Maquet anaesthesia machines



9

Adapter for Heinen & Löwenstein anaesthesia machines



4U

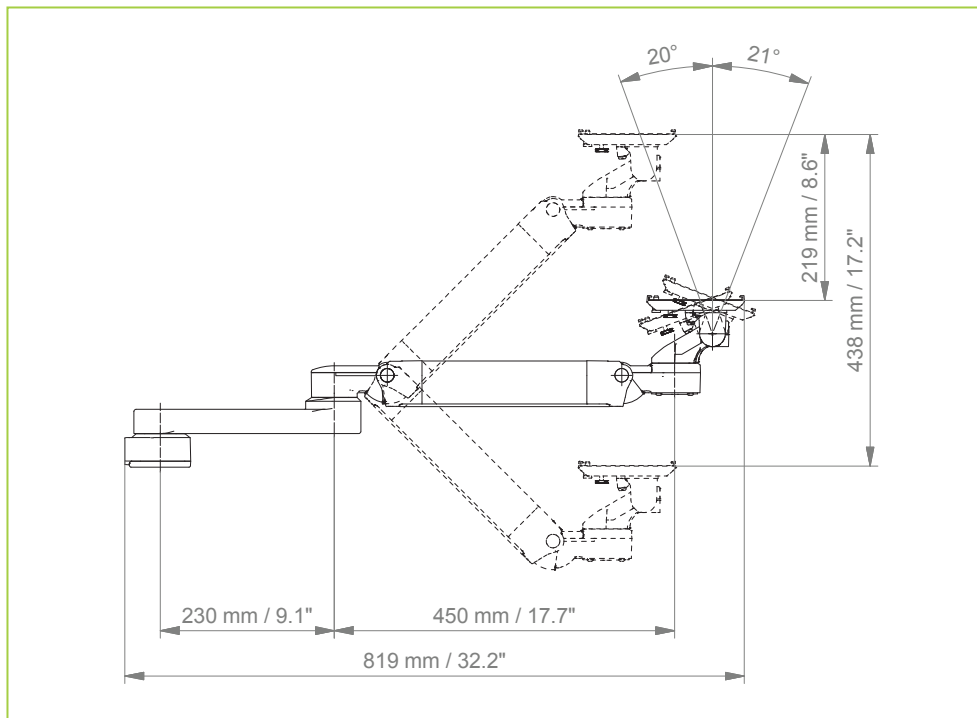
Adapter for anaesthesia machines with existing side channel



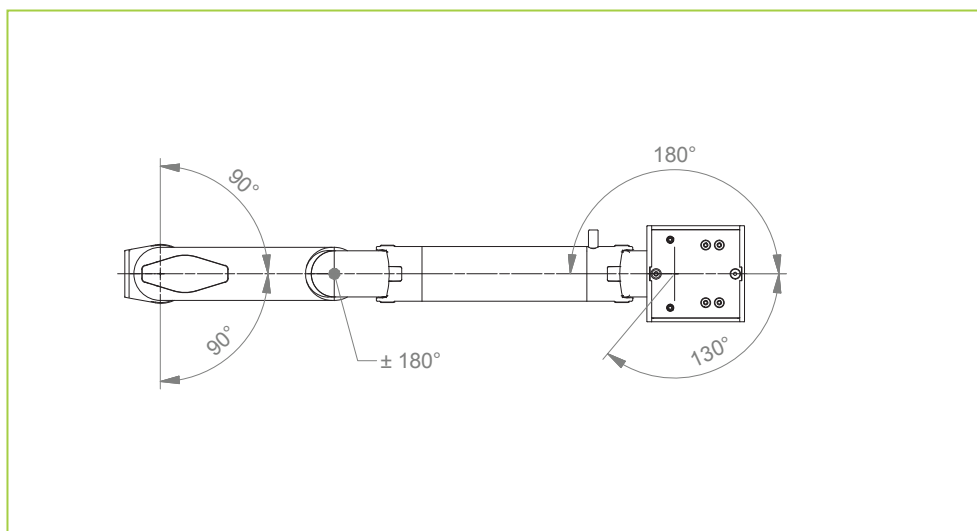
EXTENDED HEIGHT ADJUSTABLE ARM

Technical data

Side view







Top view





FIXINGS



Illustration	Description	Notes	Part. no
	Adapter for vertical wall channel	To mount to CIM wall channel (compatible with GCX channel) For arms with high mounting positions Please order separately: CIM wall channel, see catalogue accessoires	4V 4U
	Fixed rail clamp	To mount to horizontal European rails 10 x 25, 10 x 30mm for all arms	2F
	Vertical rail clamp	To mount to vertical European rail 10 x 25 mm	3
	Dual vertical rail clamp	To mount to two parallel vertical European rails 10 x 25, 8 x 35, 10 x 30, 10 x 50 mm Distance between rails 150 mm/ 5.9", e.g. Dräger pendant Distance between rails 225 mm/ 8.9", e.g. Trilux pendant	3DR 3TX
	Fixed pole clamp	To mount to pole \varnothing 25 mm/ 1.0" To mount to pole \varnothing 35 mm/ 1.4" To mount to pole \varnothing 38 mm/ 1.5"	1 1F 1C
	Universal pole clamp	V-block to mount to pole \varnothing 23 - 40 mm/ 0.9 - 1.6"	1V
	Lateral adapter Adapter	For Trumpf klinoPORT ceiling pendant For Trumpf klinoPORT frontal	8 82



FIXINGS FOR ANAESTHESIA MACHINES



Illustration	Description	Notes	Part. no
	Adapter for Maquet anaesthesia machines	Cone adapter for Maquet FLOW i	10
	Adapter for Heinen & Löwenstein anaesthesia machines	Adapter for Leon/ Leon plus	9
	Adapter for anaesthesia machines (all suppliers)	H 80 mm/ 3.1" With existing side channel	4U
If your anaesthesia machine does not have a side channel already mounted to the machine, please order the following in addition to 4U:			
	Adapter for Dräger 	Dräger Primus/ Julian/ Cato/ Fabius GS/ Zeus side channel adapter L 127 mm/ 5" side channel adapter L 320 mm/ 12.6"	DR-J01 DR-J02
	Adapter for GE 	GE Avance/ Aespire/ Aestiva side channel adapter L 200 mm/ 7.9"	DX-AES-01



HOW TO CREATE PART NUMBERS

Part numbers can be easily created by following the steps below:

Please replace the letters in **green** with the part no. code as per your requirements.

1. Components' grounding:

A = grounded

2. Choose the arm version required:

224A/ 230A = pivot arm

H33030A = extended pivot arm

431A = height adjustable arm

73130A = extended height adjustable arm

531A = high position height adjustable arm

83130A = extended high position height adjustable arm

3. Specify where you want to mount the arm and select the fixing (Y):

1V = pole ø 23 - 40 mm/ 0.9 - 1.6"

1 = pole ø 25 mm/ 1.0"

1F = pole ø 35 mm/ 1.4"

1C = pole ø 38 mm/ 1.5"

2F = horizontal rails 10 x 25, 10 x 30 mm

3 = vertical rail

3DR = dual vertical rails, distance 150 mm/ 5.9"

3TX = dual vertical rails, distance 225 mm/ 8.9"

4V = vertical wall channel

4U = vertical wall channel for arms with high mounting position

= anaesthesia machine with existing GCX channel

8 = lateral adapter to Trumpf klinoPORT ceiling pendant

82 = adapter to Trumpf klinoPORT frontal

9 = Heinen & Löwenstein anaesthesia machine

10 = Maquet FLOW i anaesthesia machine



HOW TO CREATE PART NUMBERS

4. Choose the colour requested for decorative parts (C):

gr = RAL 7024 (dark grey)
bl = RAL 5013 (blue)

5. Choose the colour requested for the aluminium die-cast parts (D):

1 = RAL 9016 (pure white)
2 = RAL 9002 (grey white)

6. Specify the spring depending on the weight of your monitor/ device - only with height adjustable arms (X):

80 = 3 - 8 kg/ 6.6 - 17.6 lbs
95 = 5 - 11 kg/ 11 - 24.3 lbs
130 = 9 - 14 kg/ 19.8 - 30.9 lbs
175 = 13 - 17 kg/ 28.7 - 37.5 lbs
220 = 16 - 22 kg/ 35.3 - 48.5 lbs

EXAMPLE

1		2		3		4 & 5		6
Grounding		Arm version		Fixing		Colour		Spring tension
A	-	431A	-	Y	.	CD	-	X
A	-	431A	-	4V	.	gr1	-	80

GENERAL NOTES

Monitor Adaptations

The 5" plunge plate is intended to accept bottom-mounted monitors. Please note that a special mounting adapter is required for some monitors. The mounting adapter is mounted to the bottom and slides into the 5" plunge plate. For monitors from **Dräger** and **GE** no special mounting adapters are required. For the monitors from **Mindray**, **Nihon Kohden**, **Spacelabs** and **Philips Sure Signs/Vital Signs** mounting adapters are necessary to mount the monitors. For **Philips IntelliVue series** please refer to the separate catalogue: Philips Monitoring IntelliVue Series.

Components' grounding

All arms with integrated cable management are equipped with **components grounding**. No grounding is required for arms with external or semi-integrated cable management with cables not being lead through joints.

Load capacity

All **height adjustable arms** have a load capacity of 22 kg/ 48.5 lbs. Rear mounted monitor adaptations and horizontally mounted 5" plunge plates accept a maximum monitor weight of 18 kg/ 39.7 lbs. Additional 4 kg/ 8.8 lbs may be mounted on a down-post underneath the front swivel part. Depending on material and tensile factor all weight indications have a 4-fold and/ or 6-fold safety factor according to EN 60601-1, 3rd Edition regulations.

Custom-designed solutions and MRI applications

Please contact us for **custom-designed** solutions.

Product marking

All CIM products are CE marked. As **medical product risk class 1** they are conform with the regulations MDD 93/42 ECC and EN 60601-1, 3rd Edition. TUEV reports for numerous products especially for anaesthesia applications guarantee electrical and mechanical safety of our products.

PRODUCT HIGHLIGHTS

Non-height adjustable arm

Pivot and extended pivot arms offer **full cable integration** and easy cleaning for **infection control** in all critical care areas in the clinical environment. Our **5-years warranty** guarantees reliable, trouble-free and maintenance-free operation. The swivel function at the fixing point as well as the **tilt/ swivel function** of the monitor adaptation offers optimum positioning of your device. The extended pivot arm is a two-part arm with central pivot point between the two arm sections. All bottom-mounted monitors have the safety feature of a **20° tilt stop**.

Height adjustable arm

The height adjustable arm offers **full cable integration**, one-wipe clean surfaces and our **5-year warranty** on the entirety of the product. Vertically and horizontally adjustable the arm offers optimal positioning of your device. A constant viewing angle when vertically adjusted is guaranteed by a parallel linkage. **Weight-optimized springs counter-balance** the monitor without making any adjustments. All bottom-mounted monitors have the safety feature of a **20° tilt stop**. Individual rotational stops may be integrated in any joint.

SAFETY

To provide the perfect combination of arm and monitor, the CIM articulated height adjustable arm has a simply quarter-turn lock to hold the arm safely in position when removing the monitor. Furthermore the arm is equipped with the unique safety feature of a slow-release gas spring. Should anybody try to remove the monitor before locking the arm in position, our arm will only rise at a slow and even tempo.